

DIGITAL SCALE WITH BLUETOOTH® TECHNOLOGY

S_SCALE EVO SMART



SWISS MADE
SIS | Smart Inductive System



Bluetooth®

*Discover our brand new
 S_Scale EVO Smart :
 Now with Bluetooth® technology.*

Ø45

Small diameter

Small dial diameter 45mm with larger display for easy reading.



Rotating display

Display rotating on 270°.

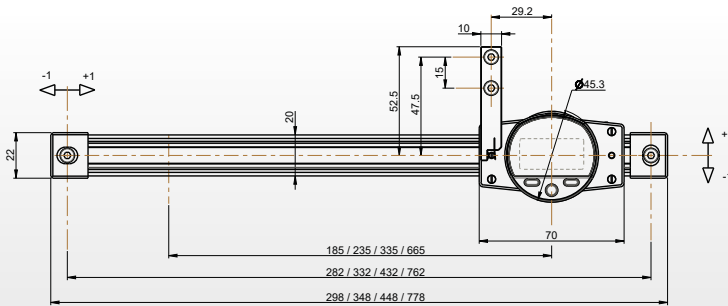


Ref1 / Ref2

Automatic switching of the reference by reversing measuring direction.

TECHNICAL FEATURES

- Bluetooth® technology integrated
- Additional Power output for USB/RS232 wired connection
- Max displacement speed: 2 m/sec
- Clamping device
- Rotating display over 270°
- Stainless steel beam, aluminum carriage
- PRESET function
- 2 references
- Easy to integrate in your projects



TECHNICAL DATA

		816-1615	816-1620	816-1630	816-1660
Measuring range	mm	150	200	300	600
Type		Horizontal & vertical			
Max. error	μm	20		30	
Repeatability	μm	10			
Resolution	mm	0.01			
Data output		Bluetooth® wireless Technology/USB/RS232			
2 references (REF 1 / REF 2)		✓			
PRESET function		✓			
Selecting of measuring direction		✓			
Rotating display 270°		✓			

The new S_Scale EVO Smart, now totally connected !

The Bluetooth® word mark and logos are registered trademarks owned by the Bluetooth SIG, Inc. and any use of such marks by Sylvac is under license. Other trademarks and trade names are those of their respective owners.